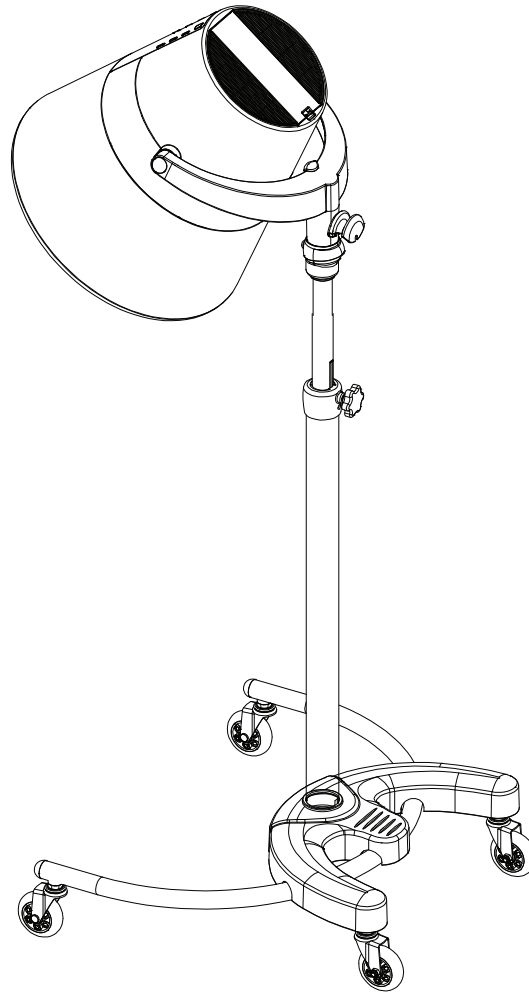


Orion

H136

INSTRUCTION MANUAL



EN

CONTENTS

Product Introduction	3
Warranty	4
Filter Installation	5
Control Panel	8
Assembly Instructions	9

Please read the operation manual before using the product.

Please put the operation manual in the place easy for you to read and you can read it at any time.

Product Name: Orion

Product Code: 136

Thank you for choosing this quality product from WAVE. To get the most out of your new machine, we recommend that you read the instruction manual before using the machine. Please keep this instruction manual in a safe place near the product so that you can find safety instructions and important information handy.

WARRANTY

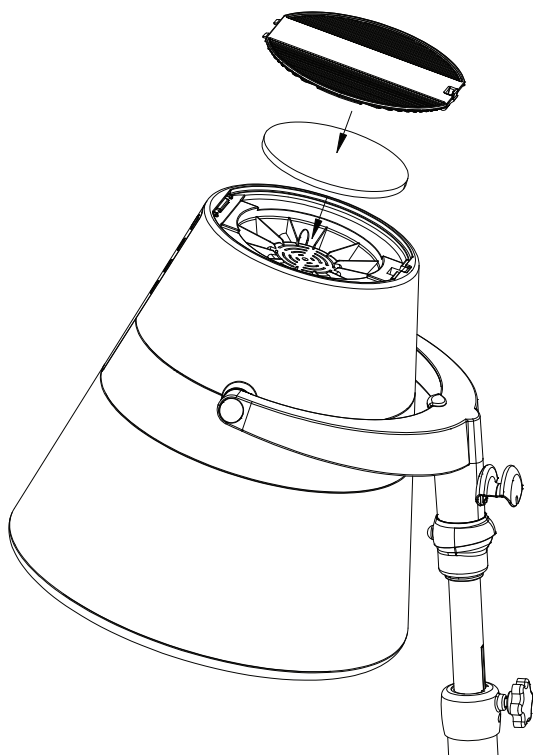
The warranty period is one year. DIR warrants to you, the original buyer, that goods shall be free of defects in material and/or workmanship attributable to manufacture for one year from date of buyer's receipt of product. Damage resulting from improper handling after merchandise is received, or from exposure to weather or extreme atmospheric conditions is not covered by the warranty.

For any other information please contact our support team:

DIR BIRMINGHAM	DIR LONDON	DIR NEW YORK	DIR COLOGNE	DIR IRELAND	DIR CHINA
66 Rea Street South Birmingham B5 6LB UK ----- Tel: +44(0)121 6434777 ----- Email: sales@dirgroup.co.uk	Unit 1 River Road Business Park 33 River Road, Barking Greater London IG11 0DA UK ----- Tel: +44(0)20 8591 9310 ----- Email: sales.london@dirgroup.co.uk	24 Woodward Ave. Suite C Queens, NY 11385 USA ----- Tel: +1 (718)628-6668 +1 (800)728-2008 ----- Email: sales@dirsalonfurniture.com	Konrad-Adenauer-Straße 25 50996 Köln Germany ----- Tel: + 49 (0) 221 4678 0417 ----- Email: sales@dirgroup.de	Unit 5 Block E, Riverview Business Park, Nangor Road, Dublin 12 Republic of Ireland ----- Tel: +353 (01) 429 7969 ----- Email: sales.ireland@dirgroup.ie	广东伊众健康科技有限公司 Guangdong Yizhong technology co Ltd 地址: 广东顺德龙江龙峰大道38号 ----- 全国统一热线: +400 865 5603 ----- 邮箱: sales@dirchina.cn

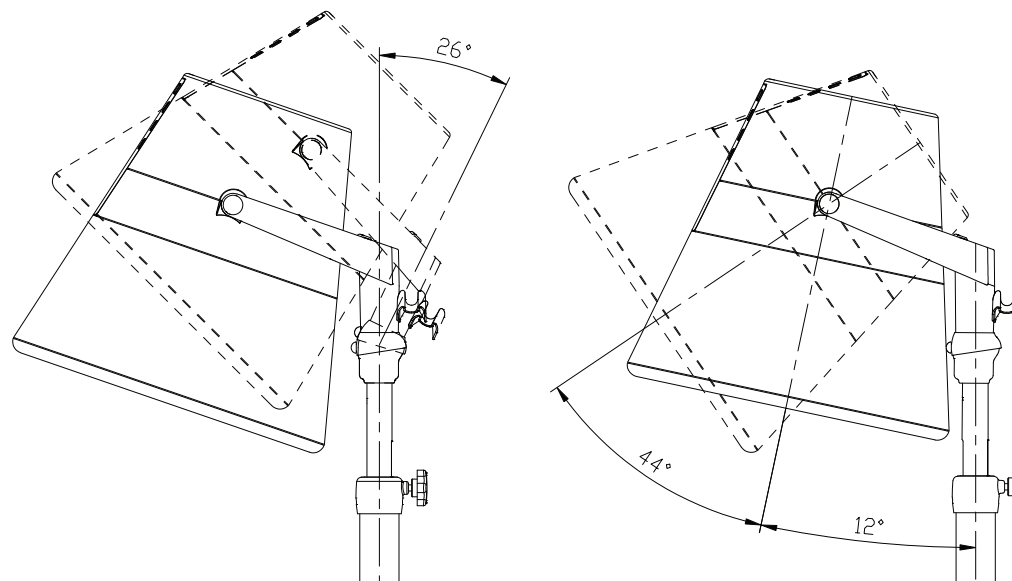
FILTER INSTALLATION

1. Before starting the machine, check if the filter cotton is installed. If not, please do not use it. Report to the manufacturer or seller.
2. Filter cotton should be cleaned regularly.



OPERATING INSTRUCTIONS

1. Assembled the machine as shown in the installation instructions.
2. Make sure that the voltage used is the same as the rated voltage of the product.
3. To achieve the best comfort, helmet can be adjusted to different angles, as shown below :



ASSEMBLY INSTRUCTIONS

4. Press the main power switch:

- When working program is ready, initial mode: time display 25 minutes; temperature display: sixth gear; the wind speed: first gear; the ion mode is off.
- If the customer defaults to the initial mode, press the start/stop button to start the machine; customer needs to adjust the working time, press the time to increase the key; adjust the working temperature, press the "Temperature adjustment button -" to lower the temperature. File; each time you press the "Temperature adjustment button + " to raise a temperature level. ;

5. When machine is running

- Machine warm up time 2 mins, light stops flashing after 2 mins. The indicator light on the headset will turn on.
- After 2 mins, the machine will be on working mode, the time display shows the remaining time.
- When remaining time shows 10 mins, the indicator light will light up green.

- When remaining time shows 1 min, the indicator light on the headset will indicate red and green lights at the same time. And it does not generate heat and send air. Apart from the main power switch, all keys will be locked.

6. Change the working program during operation

- Time, temperature, and wind speed can be changed during operation.

7. End of work mode

- After the work is finished, the time display becomes " 0" , the time electronic alarm beep 3 times, and the indicator light on the headset wil lights up in green.

TECHNICAL PARAMETERS

220-240V ~ 50/60HZ 1000W

110-120V ~ 50/60HZ 1000W

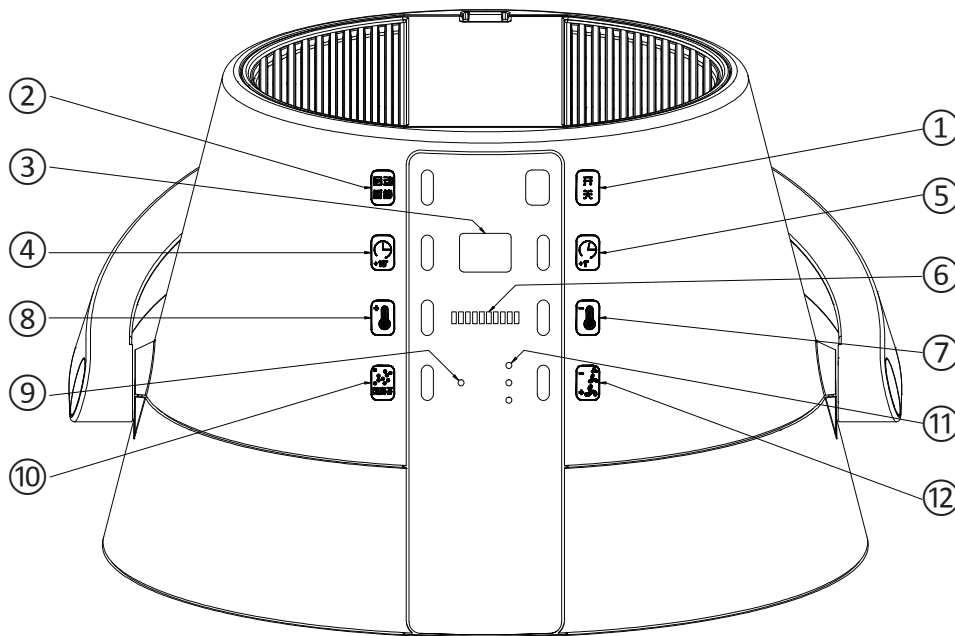
READ THE INSTRUCTIONS BEFORE USING THE MACHINE

1. Ensure the correct voltage is been used on the product.
2. Operating environment: room temperature between 5°C to 25°C; no more than 95% relative humidity.
3. Do not insert metal objects into the machine to ensure user safety.
4. Do not use in flammable gases, objects and similar environments to avoid electric shock.
5. After the power is turned on, if abnormal conditions are found, please send it to the maintenance department or find a professional to repair it. Do not disassemble and repair it yourself.

ASSEMBLY INSTRUCTIONS

6. Do not pull the power cord to pull out the power plug. Please grasp the power plug and pull it out; do not move the product by pulling the power cord and grabbing the head of the machine. It is strictly forbidden to use outdoors.
7. It is strictly forbidden to bend, stretch or bump the power cord. If the power cord is damaged, it must be replaced by the manufacturer, its service department, or a similarly qualified person to avoid danger.
8. When it is found that the machine is damaged due to the drop, or the internal electrical parts of the machine can be seen. Please do not attempt to connect the power supply. You must inform the manufacturer or supplier immediately.
9. This device is not intended for use by children unless it is used safely under the direction or assistance of a person with safety responsibility.

CONTROL PANEL



(1) Main power switch
To turn on or off the machine.

(2) Start/Pause button
After turn on the machine, set the time, temperature and other programs. Press this button to enter the working mode. You may press this button to pause the machine, the time display will flash, and the machine will not display the first gear.

(3) Time display

It shows the working time, max. time 60 minutes.

(4) Time increase button +10

Each time you press it, it will increase 10 minutes; if the display time is 60 minutes, continue to press this button to change the time to 10 minutes.

(5) Time increase button +1

Each time you press it, it will increase 1 minute; if the display time is 60 minutes, continue to press this button to change the time to 1 minute.

(6) Temperature display

Total of 6 set temperatures.

(7) Temperature adjustment button -

This button is used to decrease the temperature.

(8) Temperature adjustment button +

This button is used to increase the temperature.

(9) Ion display

When the light is on it indicates ion mode is turned on.

(10) Turn on/off ion mode

Press this button to turn on or off the ion mode.

(11) Wind speed adjustment button

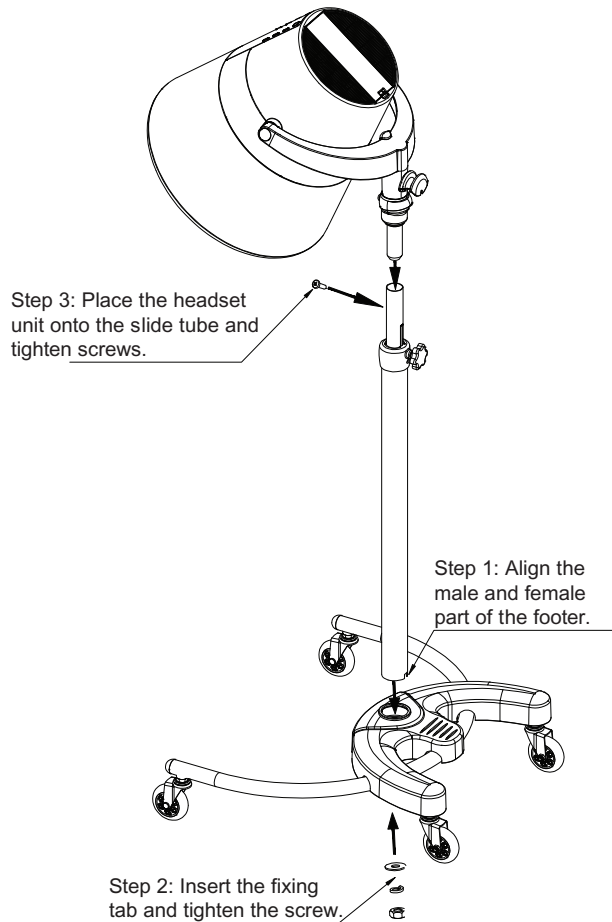
Press this button to change the wind level, total of 3 levels.

(12) Wind speed display

It shows the speed of wind mode.

ASSEMBLY INSTRUCTIONS

Floor Standing Type



ASSEMBLY INSTRUCTIONS

CARE INSTRUCTIONS

1. The inner cap can get dirty easily, please clean regularly. Chemicals such as hair dyes can cause dysfunction.
2. Wipe clean with a soft, dry cloth when cleaning. If water splashes on the panel, immediately wipe it off with a dry cloth, otherwise the machine will malfunction.

CONTACT US

DIR BIRMINGHAM (HEADQUARTERS)

66 Rea Street South
Birmingham
B5 6LB
UK
Sales: +44(0)800 085 3667
Customer Service: +44(0)121 6434777
Fax: +44(0)121 6333291
Email: sales@dirgroup.co.uk
Website: www.dirgroup.co.uk

DIR NEW YORK

24 Woodward Ave.
Suite C
Queens, NY 11385
USA
Sales: +1 (718)628-6668
+1 (800)728-2008
Fax: +1 855-628-5168
Email: sales@dirsalonfurniture.com
Website: www.dirsalonfurniture.com

DIR IRELAND

Unit 5 Block E
Riverview Business Park
Nangor Road
Dublin 12
Republic of Ireland

Sales: +353 (01) 429 7969
Email: sales.ireland@dirgroup.ie
Website: www.dirgroup.ie

DIR LONDON

Unit 1 River Road Business Park
33 River Road, Barking
Greater London IG11 0DA
UK
Sales: +44(0)20 8591 9310
Fax: +44(0)20 8594 4147
Email: sales.london@dirgroup.co.uk
Website: www.dirgroup.co.uk

DIR COLOGNE

Konrad-Adenauer-Straße 25
50996 Köln
Germany

Sales: + 49 (0) 221 / 4678 0417
Email: sales@dirgroup.de
Website: www.dirgroup.de

DIR CHINA

广东伊众健康科技有限公司
Guangdong Yizhong technology co Ltd
广东顺德龙江龙峰大道38号

全国统一热线：
+400 865 5603
邮箱: sales@dirchina.cn
官网：www.dirchina.cn

If you have any enquires regarding the product warranty, please contact our customer services team.

www.dirgroup.co.uk