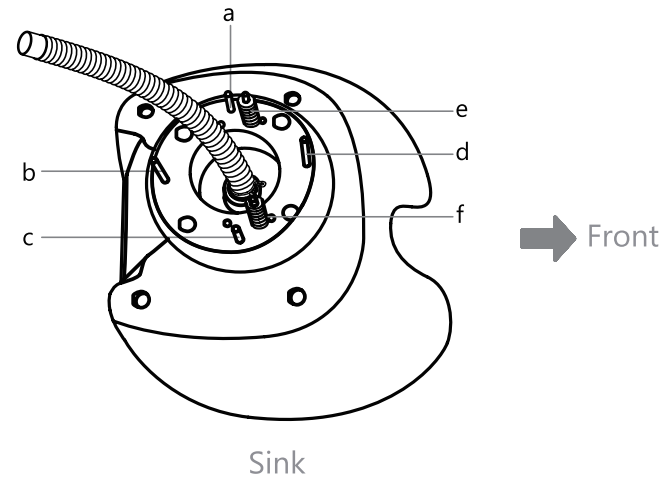
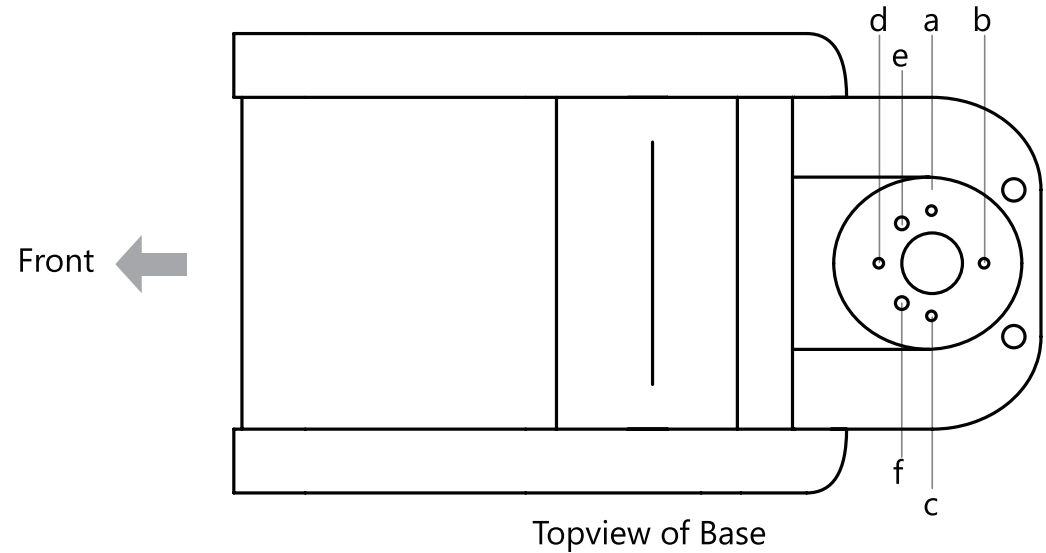
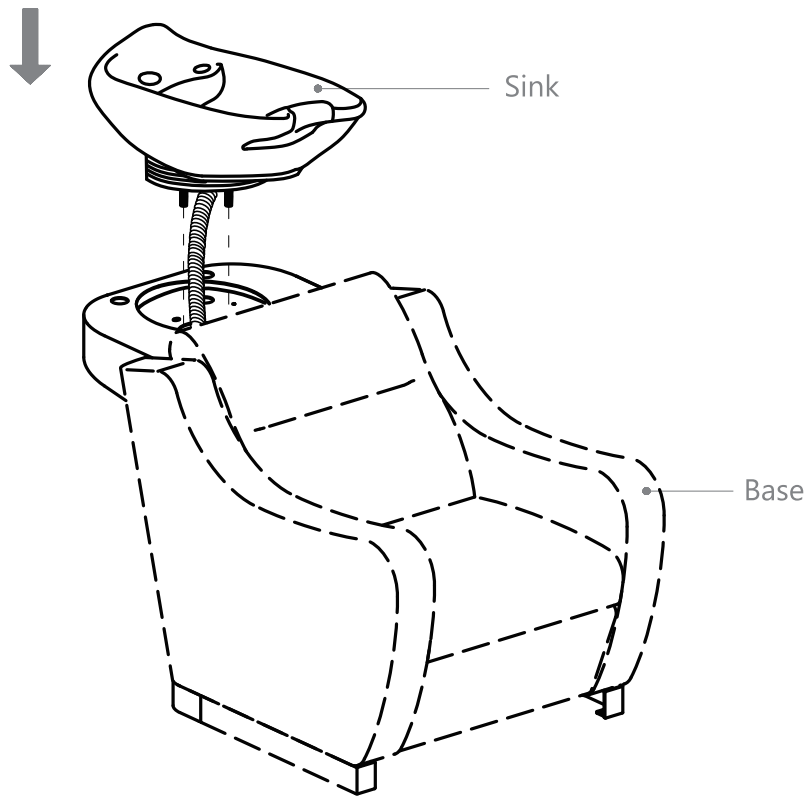


(0350)

## Assembly Instructions Sink Assembly Instruction

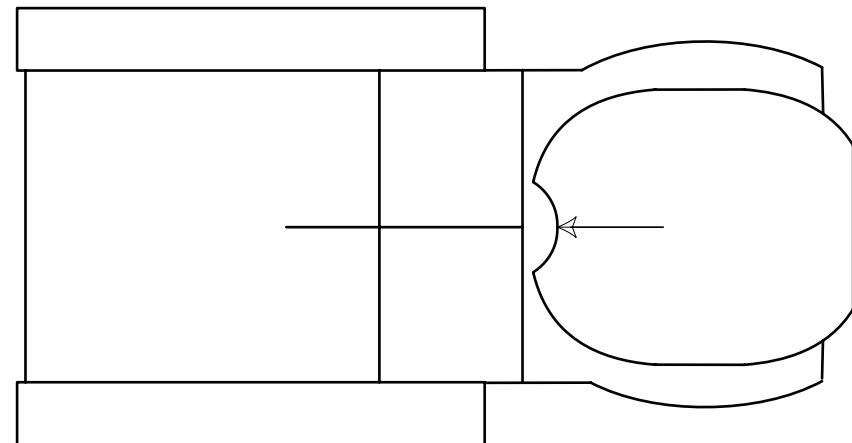
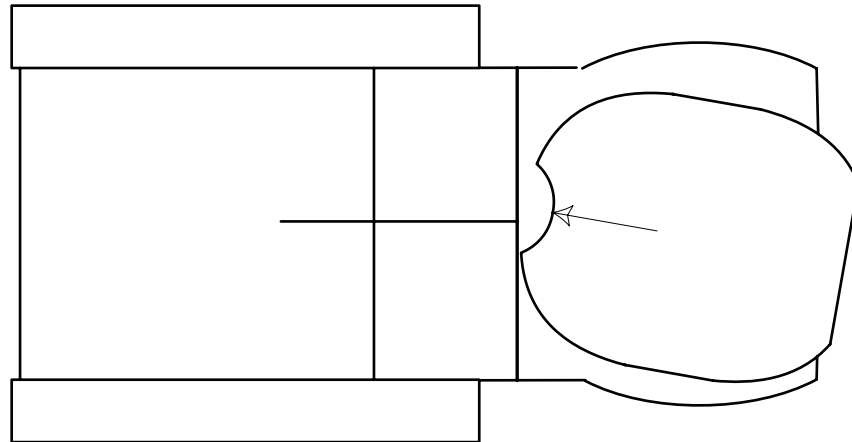
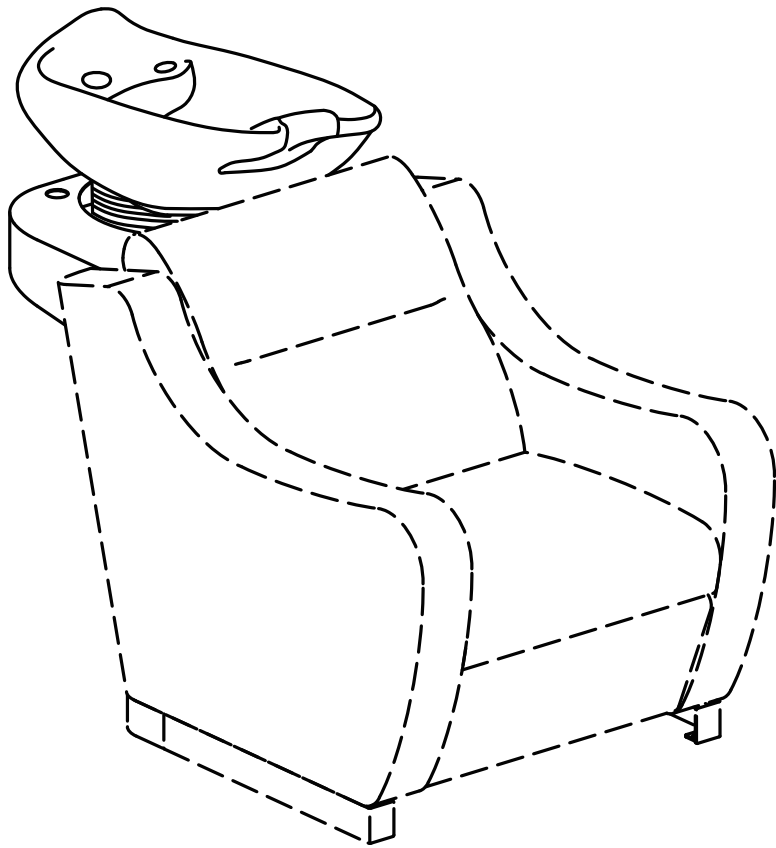


Align the sink to the base as shown in the diagram.

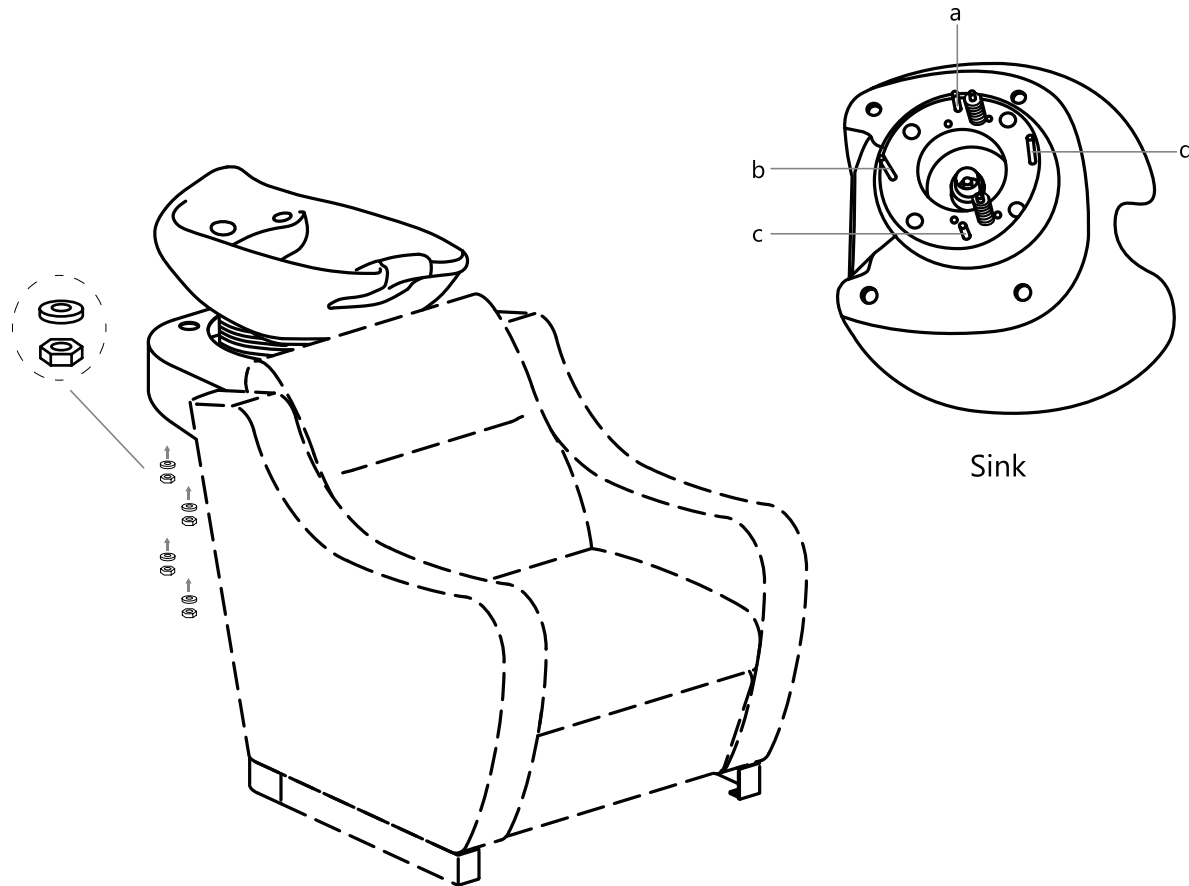
# Assembly Instructions

## Sink Assembly Instruction

**DIR**<sup>®</sup>



## Assembly Instructions Sink Assembly Instruction

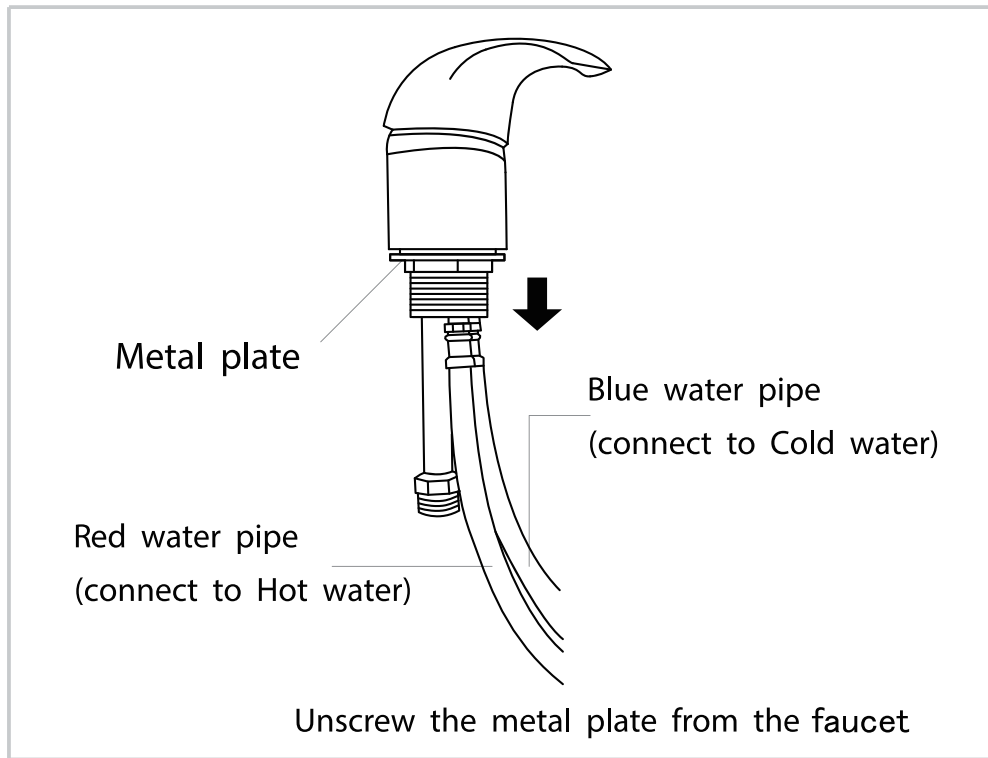
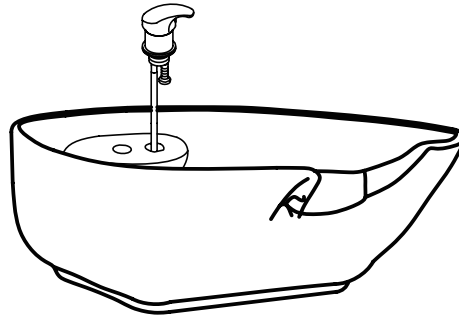


Undo the access panel by twisting clockwise then using the 4\* 14mm washers & gaskets provided fasten the sink to the base.

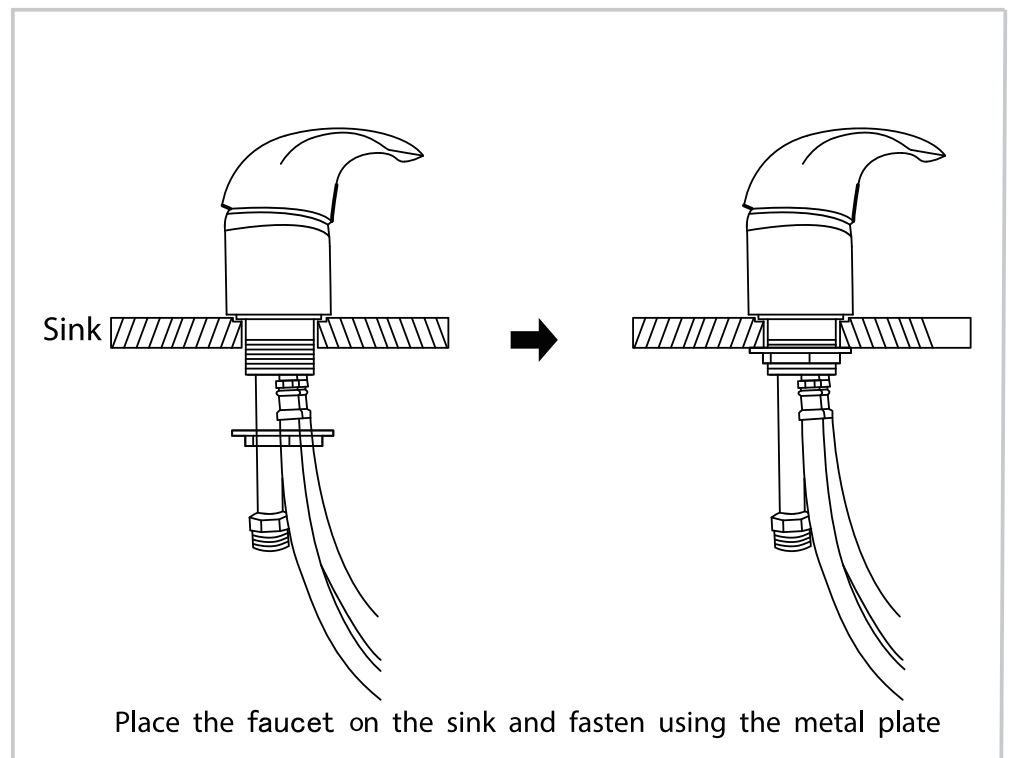
# Assembly Instructions

## Faucet Assembly Instruction

DIR<sup>®</sup>

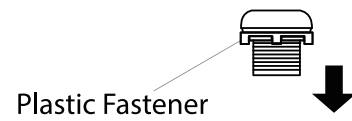
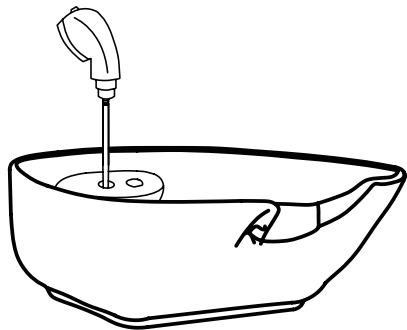


STEP 1



STEP 2

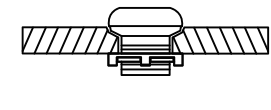
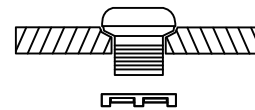
## Assembly Instructions Sprayerhead Assembly Instruction



Plastic Fastener

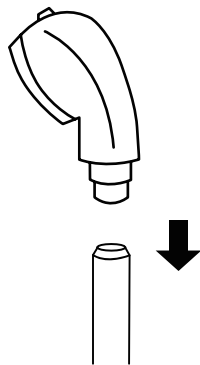
Unscrew the fastener from the sprayerhead holder.

STEP 1



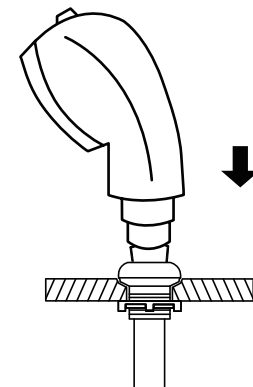
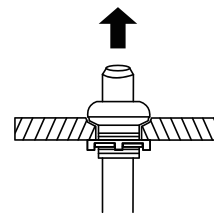
Fasten the sprayerhead holder to the sink with the plastic fastener.

STEP 2



Unscrew the sprayerhead from the sprayer hose.

STEP 3

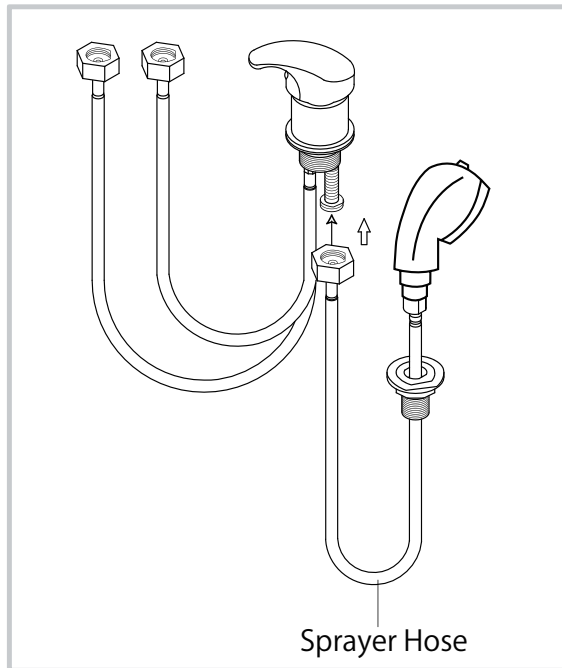


Place the sprayer hose from underneath through the sprayerhead holder and fasten the sprayerhead to the sprayer hose.

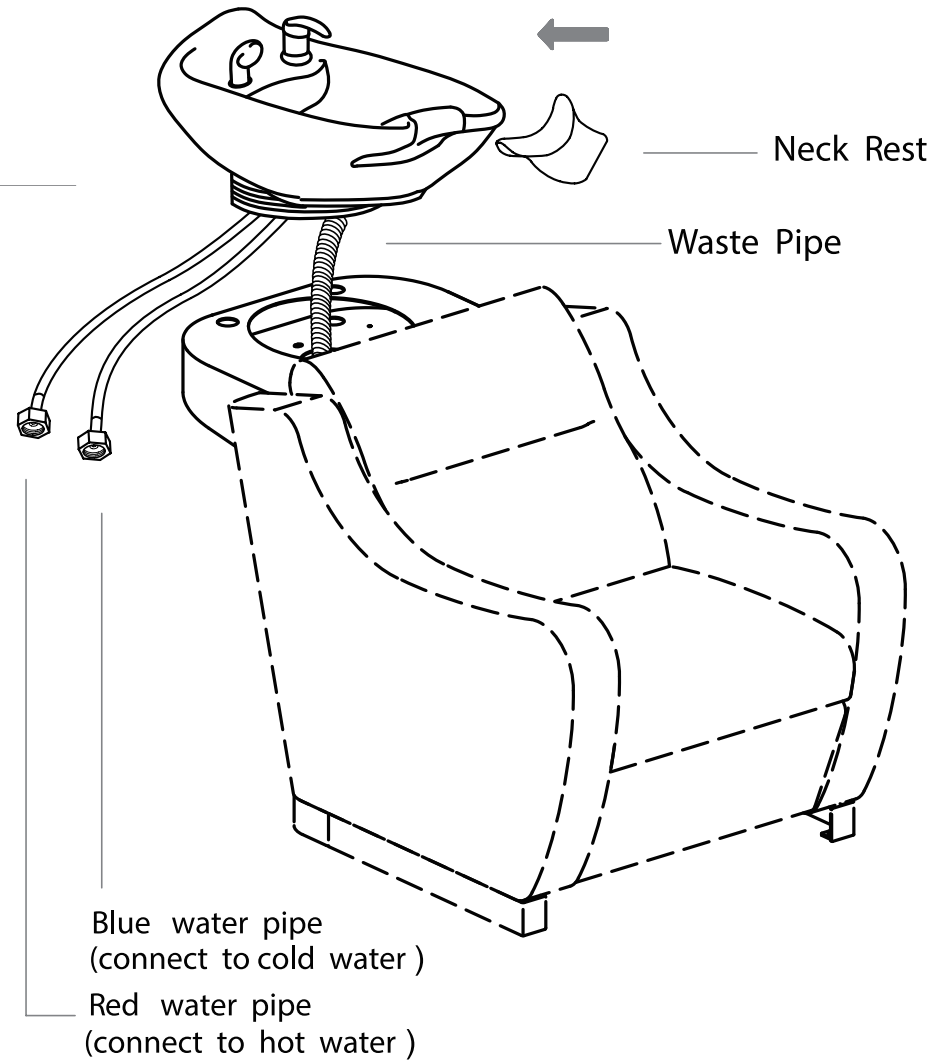
STEP 4

# Assembly Instructions

# DIR<sup>®</sup>



Connect to sprayer hose to the tap shown in the diagram.



⚠ For plumbing instructions, please download from website.